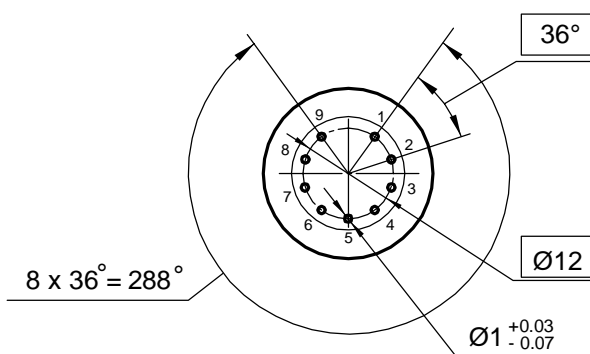


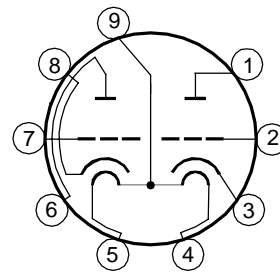
12AT7 Genalex/ ECC81/B739

Vacuum tube 12AT7 Genalex/ECC81/B739 is a miniature twin triode with equipotential cathodes, designed to amplify low frequency voltage in radio engineering devices.

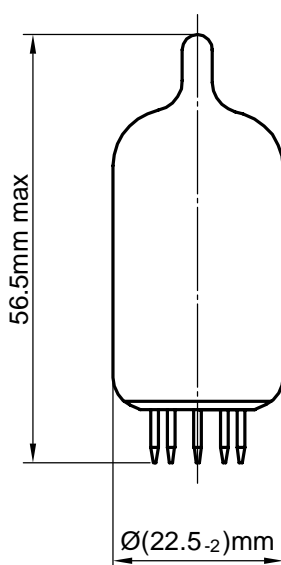
Pin arrangement



Electrode -to - lead connection diagram



Dimensions



Lead designation	Name of electrode
1	Second triode plate
2	Second triode grid
3	Second triode cathode
4,5,9	Heater
6	First triode plate
7	First triode grid
8	First triode cathode

Electrical parameters

Parameters, conditions and units	Nominal	
	min	max
Heater current, mA at: filament voltage 6.3 V at: filament voltage 12.6 V	350 175	390 195
Grid back current, μA , (at: filament voltage 6.3 V or 12.6 V, plate voltage 250 V, grid voltage minus 2.0 V, resistance in grid circuit 0.25 M Ω)	—	0.5
Plate current, mA, (at: filament voltage 6.3 V or 12.6 V, plate voltage 250 V, grid voltage minus 2.0 V)	9.0	12.0
First and second triodes plate current difference, % (at: filament voltage 6.3 V or 12.6 V, plate voltage 250 V, grid voltage minus 2.0 V)	—	± 40
Slope of characteristic, mA/V (at: filament voltage 6.3 V or 12.6 V, plate voltage 250 V, grid voltage minus 2.0 V)	4.5	6.5
Amplification factor (at: filament voltage 6.3 V or 12.6 V, plate voltage 250 V, grid voltage minus 2.0 V)	45	—
Cathode - heater insulation resistance, M Ω (at: filament voltage 6.3 V or 12.6 V, cathode - heater voltage ± 200 V)	20	—
Plate current at the beginning of the characteristic, μA (at: filament voltage 6.3 V or 12.6 V, plate voltage 250 V, grid voltage minus 12.0 V)	—	30

Limiting Values

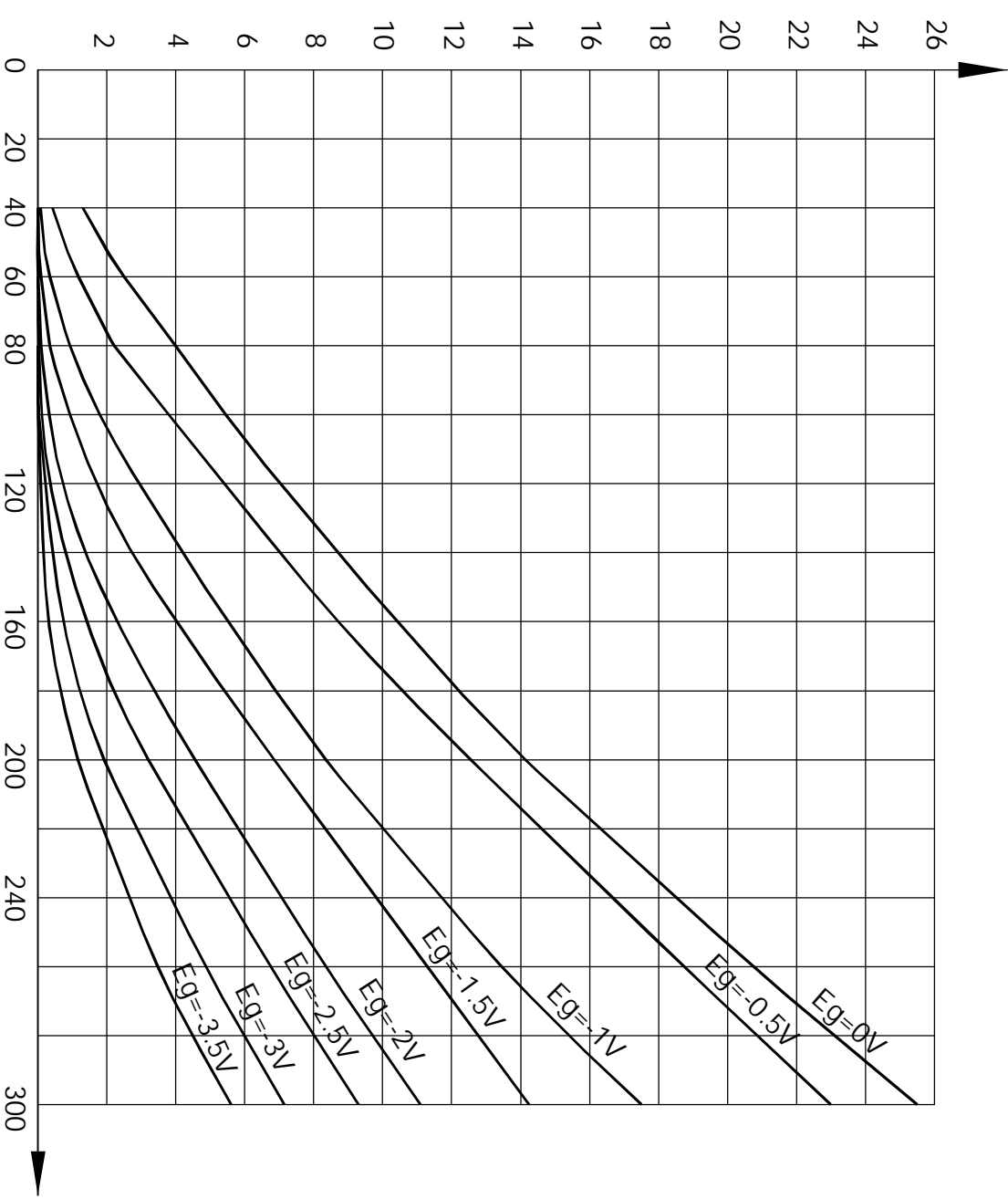
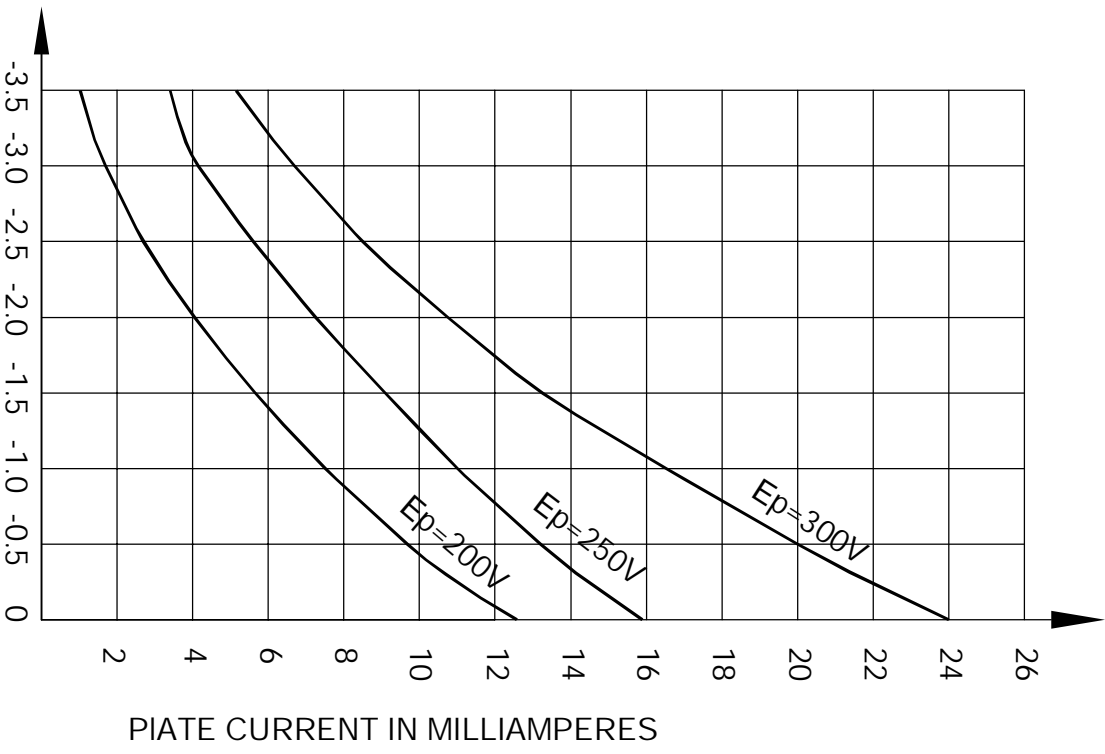
Parameters, units	Nominal	
	min	max
Filament voltage, V for parallel connection for series connection	6 12	6.6 13.2
Plate voltage, V	—	330
Cathode - heater voltage, V	—	± 200
Power dissipation at the plate of each triode, W	—	3.25
Cathode current, mA	—	18
Grid circuit resistance for each of the triodes, M Ω fixed bias self - bias	— —	0.25 1.0

$I_p = f(E_g)$
 $E_f = 6.3V$

$I_p(mA)$

$I_p(mA)$

$I_p = f(E_p)$
 $E_f = 6.3V$



GRID VOLTAGE IN VOLTS

PLATE VOLTAGE IN VOLTS

PLATE CURRENT IN MILLIAMPERES