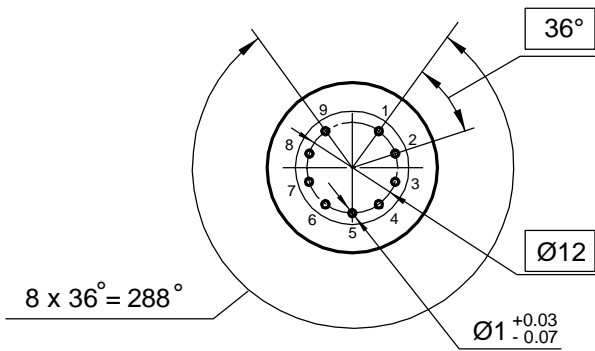
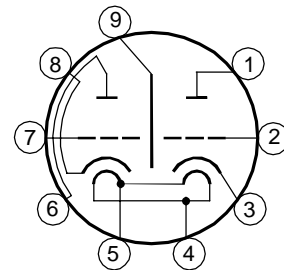


Vacuum tube 6H30PiEH gold is a miniature twin triode with equipotential cathodes, designed to amplify low frequency voltage in radio engineering devices.

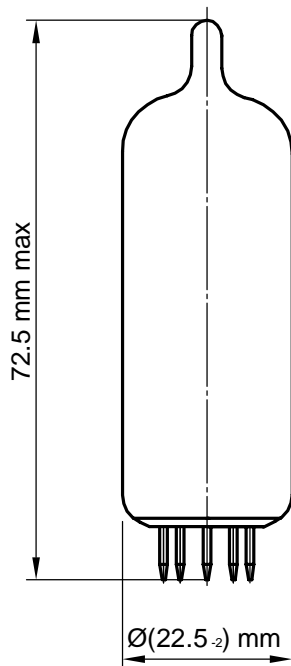
Pin arrangement



Electrode -to - lead connection diagram



Dimensions



Lead designation	Name of electrode
1	Second triode plate
2	Second triode grid
3	Second triode cathode
4, 5	Heater
6	First triode plate
7	First triode grid
8	First triode cathode
9	Screen

Electrical parameters

Parameters, conditions and units	Nominal	
	min	max
Heater current, mA	725	900
Grid reverse current, μA , (at: filament voltage 6.3 V, plate voltage 80 V, cathode circuit resistance 56 Ω) resistance in grid circuit 0.15 M Ω)	—	1.5
Plate current, mA, (at: filament voltage 6.3 V, plate voltage 80 V, cathode circuit resistance 56 Ω)	30	50
First and second triodes plate current difference, % (at: filament voltage 6.3 V, plate voltage 80 V, cathode circuit resistance 56 Ω)	—	± 20
Plate current at the beginning of the characteristic, μA (at: filament voltage 6.3 V, plate voltage 80 V, grid voltage minus 12 V)	—	30
Slope of characteristic, mA/V (at: filament voltage 6.3 V, plate voltage 80 V, cathode circuit resistance 56 Ω)	13	23
Amplification factor (at: filament voltage 6.3 V, plate voltage 80 V, cathode circuit resistance 56 Ω)	12	18
Cathode - heater insulation resistance, M Ω (at: filament voltage 6.3 V, cathode -heater voltage ± 150 V)	6	—

Limiting Values

Parameters, units	Nominal	
	min	max
Filament voltage, V	6	6.6
Plate voltage, V	—	250
Cathode - heater voltage, V	—	± 400
Cathode current of each triode (average), mA	—	100
Power dissipation at the plate of each triode, W	—	4.0
Grid circuit resistance for each of the triodes, k Ω self - bias	—	300

