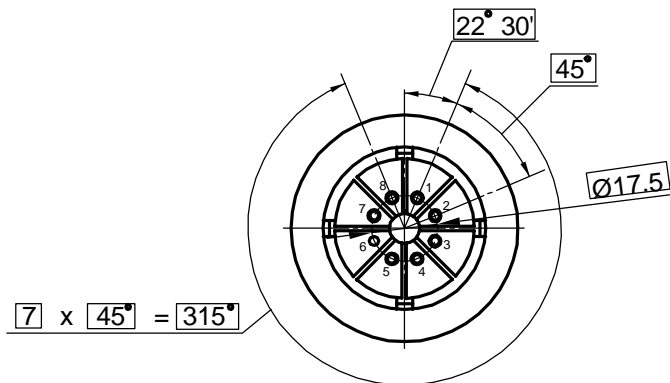
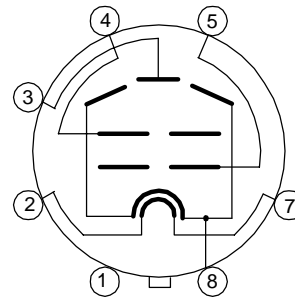


Vacuum tube KT66 Genalex is a beam tetrode in the glass bulb with octal base, with equipotential cathode, designed to amplify low frequency power in the output stages of HI - FI audio.

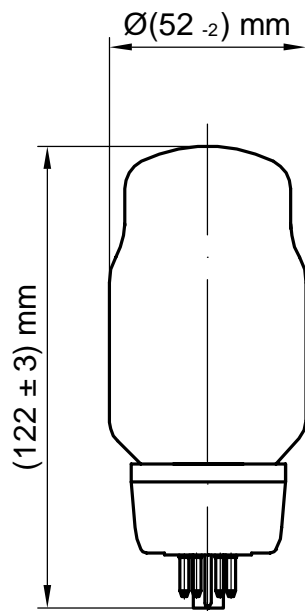
Pin arrangement



Electrode -to - lead connection diagram



Dimensions



Lead designation	Name of electrode
1	Empty
2, 7	Heater
3	Plate
4	Grid 2
5	Grid 1
6	No
8	Cathode, beam-forming screen

Electrical parameters

Parameters, conditions and units	Nominal	
	min	max
First grid reverse current, μA (at: filament voltage 6.3 V, plate voltage 250 V, first grid voltage minus 15.0 V, second grid voltage 250 V, first grid circuit resistance 0.24M Ω)	—	2.0
Heater current, A	1.3	1.6
Plate current, mA (at: filament voltage 6.3 V, plate voltage 250 V, first grid voltage minus 15.0 V, second grid voltage 250 V)	60	110
Second grid current, mA (at: filament voltage 6.3 V, plate voltage 250 V, first grid voltage minus 15.0 V, second grid voltage 250 V)	—	10
Output power, W (at: filament voltage 6.3 V, plate voltage 250 V, first grid voltage minus 15.0 V, second grid voltage 250 V, plate circuit resistance 2.2 k Ω , first grid alternating voltage, efficacious 10.6 V)	5.4	—
Slope of characteristic, mA/V (at: filament voltage 6.3 V, anode voltage 250 V, first grid voltage minus 15.0 V, second grid voltage 250 V)	5.0	—
Cathode - heater insulation resistance, M Ω (at: filament voltage 6.3 V, cathode -heater voltage \pm 150 V)	1.5	—

Operating conditions limits

Parameters, units	Nominal	
	min	max
Filament voltage, V	5.7	7.0
Cathode - heater voltage, V	—	\pm 150
Cathode current, mA	—	200
First grid voltage, negative, V	—	200
Power dissipation at the plate, W	—	25
Power dissipation at the second grid, W	—	3.5
First grid circuit resistance, M Ω		
fixed bias	—	0.24
self - bias	—	1.0
Temperature at the most heated part of the envelope, K $^{\circ}$	—	523

